



see what Delta can do™

SHOWER HEAD

■ 4-Spray Setting Shower Head

FEATURES:

- Touch-Clean® Spray Holes
- Lumicoat® Finish (-PR models only)
- Lumicoat® Finishes easily wipe clean without cleaners and chemicals on the products most commonly touched areas

STANDARD SPECIFICATIONS:

- Max flow rate 1.75 gpm @ 80 psi, 6.6 L/min @ 550 kPa (52614-▲ & 52614-▲-PR)
- Max flow rate 2.5 gpm @ 80 psi, 9.5 L/min @ 550 kPa (52614-▲25 & 52614-▲PR25)
- Shower head with four spray settings
- Change spray modes with push button
- Fits standard 1/2"-14 NPT pipe fitting
- Ball connector swivel angle is 30° (15° per side)
- 4 Spray settings include: Full Body spray, Massaging spray, Full spray with Massage and Pause. Pause is a non-positive shut-off

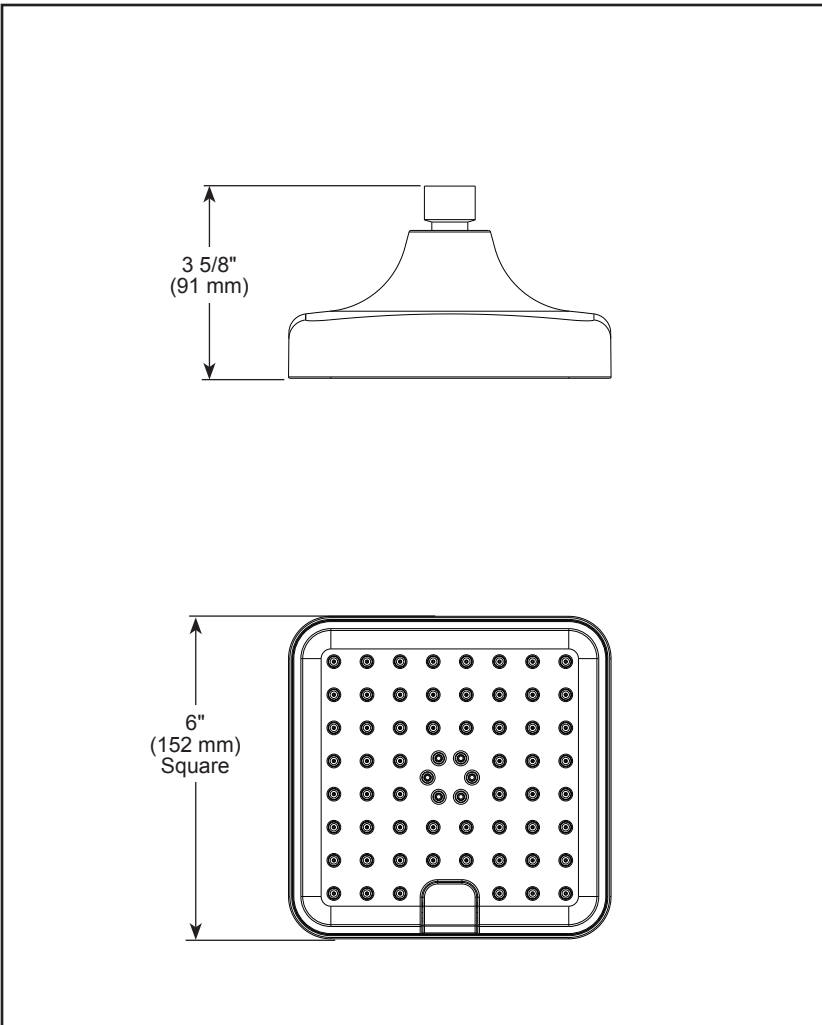
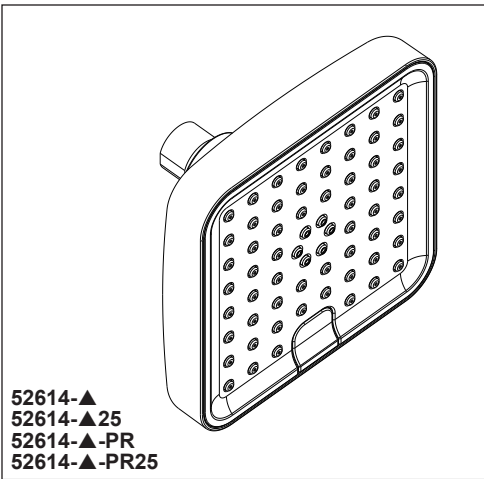
WARRANTY:

- Parts and Finish – Lifetime limited warranty; or for commercial purchasers, 10 years for multi-family residential (apartments and condominiums) and 5 years for all other commercial uses, in each case from the date the product is received by the original purchaser or their authorized representative (installation contractor, etc.).
- Please go to www.deltafaucet.com for the complete details of our limited warranty.



COMPLIES WITH:

- ASME A112.18.1 / CSA B125.1
- EPA WaterSense® - Applies to 52614-▲ & 52614-▲-PR only



▲ Designate proper finish suffix

Delta Faucet Company reserves the right (1) to make changes in specifications and materials, and (2) to change or discontinue models, both without notice or obligation. Dimensions are for reference only. See current full-line price book or www.deltafaucet.com for finish options and product availability.

Delta Faucet Company

55 E. 11th Street, Carmel, IN 46280
350 South Edgeware Road, St. Thomas, ON N5P 4L1
© 2026 Delta Faucet Company